

# **NORFAB**

## **VU-PORT INSULATED WINDOWS**



*WALK-IN COOLERS*

*WALK-IN FREEZERS*

*CLEAN ROOMS*

*ENVIRONMENTAL CHAMBERS*



## DEPENDABLE CLEAR VIEW ASSURES GREATER SAFETY

The Norfab Vu-Port glass is a 1" triple pane tempered insulated unit. Our aluminum frame has a thermal barrier built into it to diminish cold transfer. Choose from non-heated, heated frame only, or heated glass and frame for optimal performance.

### 14 x 14 STANDARD SIZE

Glass viewing area 12<sup>3</sup>/<sub>4</sub>" x 12<sup>3</sup>/<sub>4</sub>"

Rough opening 16<sup>7</sup>/<sub>8</sub>" x 16<sup>7</sup>/<sub>8</sub>"

Overall frame size 18<sup>1</sup>/<sub>4</sub>" x 18<sup>1</sup>/<sub>4</sub>"

| DOOR/WALL THICKNESS             | NON-HEATED | HEATED FRAME ONLY | HEATED FRAME AND GLASS |
|---------------------------------|------------|-------------------|------------------------|
| 2"                              | 55084-1    | 55083-1-A         | 55082-1-A              |
| 2"                              |            | 55083-1-B         | 55082-1-B              |
| 3"                              | 55084-2    | 55083-2-A         | 55082-2-A              |
| 3"                              |            | 55083-2-B         | 55082-2-B              |
| 3 <sup>1</sup> / <sub>2</sub> " | 55084-3    | 55083-3-A         | 55082-3-A              |
| 3 <sup>1</sup> / <sub>2</sub> " |            | 55083-3-B         | 55082-3-B              |
| 4"                              | 55084-4    | 55083-4-A         | 55082-4-A              |
| 4"                              |            | 55083-4-B         | 55082-4-B              |
| 5"                              | 55084-5    | 55083-5-A         | 55082-5-A              |
| 5"                              |            | 55083-5-B         | 55082-5-B              |

### TWO STANDARD FRAME SIZES

Choose from 2 standard sizes (14 x 14 or 14 x 24) or custom order to your specifications.

### CHOICE OF THICKNESS 2", 3", 3<sup>1</sup>/<sub>2</sub>", 4", AND 5"

Inner frame adjustable to accommodate nominal variations in the door or wall thickness.

### 14 x 24 STANDARD SIZE

Glass viewing area 12<sup>3</sup>/<sub>4</sub>" x 22<sup>3</sup>/<sub>4</sub>"

Rough opening 16<sup>7</sup>/<sub>8</sub>" x 26<sup>7</sup>/<sub>8</sub>"

Overall frame size 18<sup>1</sup>/<sub>4</sub>" x 28<sup>1</sup>/<sub>4</sub>"

| DOOR/WALL THICKNESS             | NON-HEATED | HEATED FRAME ONLY | HEATED FRAME AND GLASS |
|---------------------------------|------------|-------------------|------------------------|
| 2"                              | 55084-6    | 55083-6-A         | 55082-6-A              |
| 2"                              |            | 55083-6-B         | 55082-6-B              |
| 3"                              | 55084-7    | 55083-7-A         | 55082-7-A              |
| 3"                              |            | 55083-7-B         | 55082-7-B              |
| 3 <sup>1</sup> / <sub>2</sub> " | 55084-8    | 55083-8-A         | 55082-8-A              |
| 3 <sup>1</sup> / <sub>2</sub> " |            | 55083-8-B         | 55082-8-B              |
| 4"                              | 55084-9    | 55083-9-A         | 55082-9-A              |
| 4"                              |            | 55083-9-B         | 55082-9-B              |
| 5"                              | 55084-10   | 55083-10-A        | 55082-10-A             |
| 5"                              |            | 55083-10-B        | 55082-10-B             |



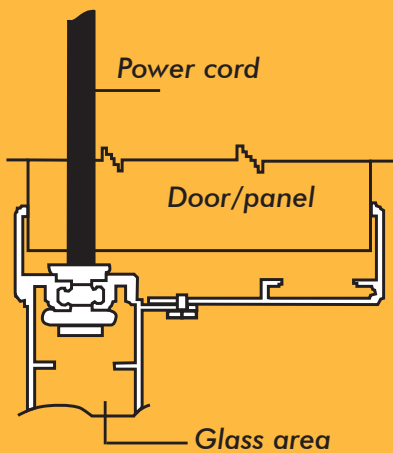
## CUSTOM SIZES

- Custom sizes are available in heated and non-heated per customer specifications and are priced on an order-by-order basis.
- Maximum size is 24 square feet.
- Sizes larger than 9 square feet require going to a 2 pane insulated glass.
- When ordering please specify thickness of installation door or wall, Viewing Area or Rough Opening and Option A or B (refer to diagram at bottom of this page).

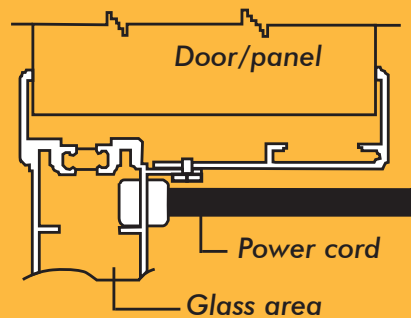


14 x 24 standard size

14 x 14 standard size



INTERNAL OPTION A



STANDARD OPTION B

## FINISH OPTIONS

The Norfab Vu-Port comes standard in a clear satin anodized finish. Or get the look of stainless steel without the cost of stainless. Paint also available per customer specification. Custom finishes priced on an order-by-order basis.

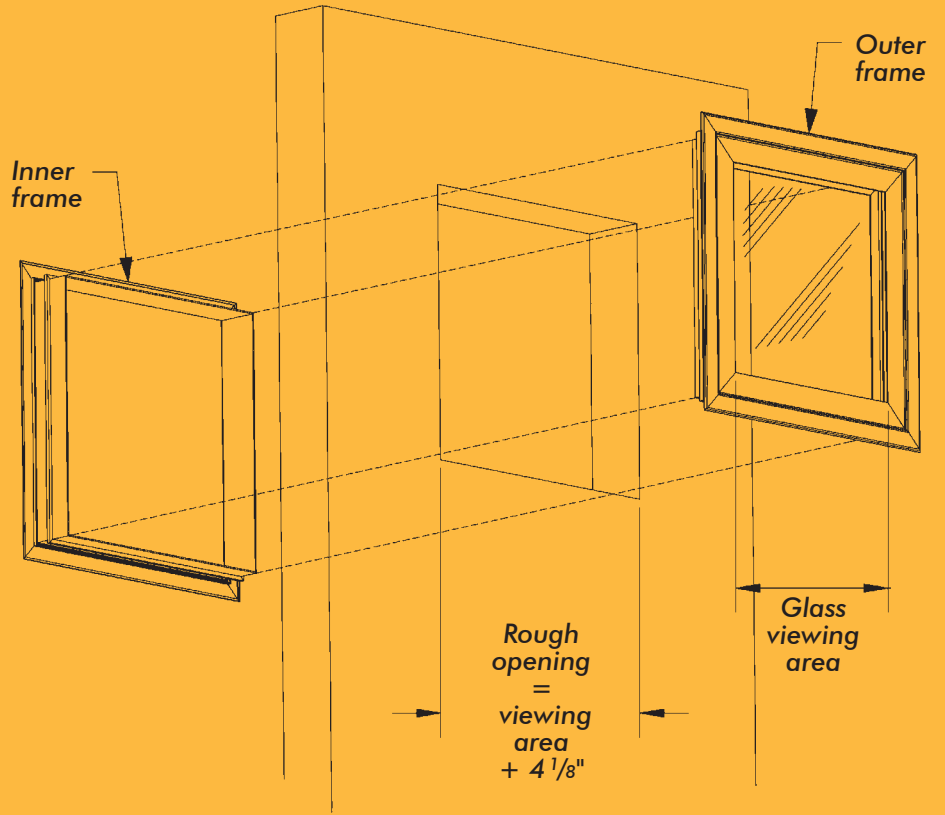


Clear satin anodized  
(Standard)



Painted white  
(Other colors available)

**EASY INSTALLATION**  
Two section Vu-Port slides together easily into door or wall and is locked into place with self tapping screws.



## SHIPPING OPTIONS

Your Vu-Port refrigeration door windows can be shipped in a wooden crate or in individual boxes and palletized. Either way you can be assured that your product will arrive undamaged and on time.



# NORFAB

ALUMINUM EXTRUSION FABRICATORS

2750 Ranchview Lane  
Plymouth, MN 55447

Ph: 763-559-2510  
Fax: 763-559-7642  
[www.norfabinc.com](http://www.norfabinc.com)

# NORFAB

## VU-PORT INSULATED WINDOW OPTIONS



### *NORFAB AIR FLOW VU-PORT WINDOW*

*For environmental chambers using Air Flow wall systems. The window allows air to flow between the glass. Hinged panel for easy cleaning access between the windows.*



### *NORFAB FLUSH PANEL VU-PORT WINDOW*

*For clean rooms where ledges are not allowed. An added frame on the interior provides the same flush surface as the exterior.*





## NORFAB LOCKING SECURITY PANEL VU-PORT WINDOW

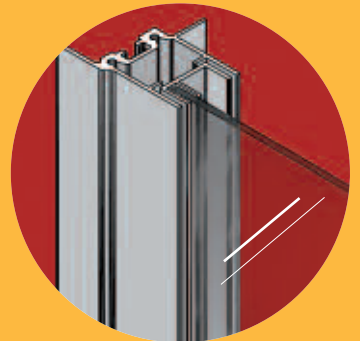
For chambers where darkness and security is needed. When viewing contents of chamber minimal light is exposed and zero contamination is allowed through an open door.



## CANVAS SECURITY COVER

Our canvas cover provides added security by blocking the view of items to discourage theft and provide privacy when needed.

## SINGLE PANE WINDOW FOR ENVIRONMENTAL/CLEAN ROOMS



## ADDED DURABILITY AND SECURITY OPTIONS

For added durability and security choose our insulated window with one lite of 1/4" wire glass or a solid Polycarbonate panel (available in Non-Heated or Heated Frame only). Other options available upon request.

# NORFAB

ALUMINUM EXTRUSION FABRICATORS

2750 Ranchview Lane  
Plymouth, MN 55447

Ph: 763-559-2510  
Fax: 763-559-7642  
[www.norfabinc.com](http://www.norfabinc.com)