

# **NORFAB**

## **VU-PORT INSULATED WINDOWS**



*WALK-IN COOLERS*

*WALK-IN FREEZERS*

*CLEAN ROOMS*

*ENVIRONMENTAL CHAMBERS*



## DEPENDABLE CLEAR VIEW ASSURES GREATER SAFETY

The Norfab Vu-Port glass is a 1" triple pane tempered insulated unit. Our aluminum frame has a thermal barrier built into it to diminish cold transfer. Choose from non-heated, heated frame only, or heated glass and frame for optimal performance.

### 14 x 14 STANDARD SIZE

Glass viewing area 12<sup>3</sup>/<sub>4</sub>" x 12<sup>3</sup>/<sub>4</sub>"

Rough opening 16<sup>7</sup>/<sub>8</sub>" x 16<sup>7</sup>/<sub>8</sub>"

Overall frame size 18<sup>1</sup>/<sub>4</sub>" x 18<sup>1</sup>/<sub>4</sub>"

DOOR/WALL THICKNESS	NON-HEATED	HEATED FRAME ONLY	HEATED FRAME AND GLASS
2"	55084-1	55083-1-A	55082-1-A
2"		55083-1-B	55082-1-B
3"	55084-2	55083-2-A	55082-2-A
3"		55083-2-B	55082-2-B
3 <sup>1</sup> / <sub>2</sub> "	55084-3	55083-3-A	55082-3-A
3 <sup>1</sup> / <sub>2</sub> "		55083-3-B	55082-3-B
4"	55084-4	55083-4-A	55082-4-A
4"		55083-4-B	55082-4-B
5"	55084-5	55083-5-A	55082-5-A
5"		55083-5-B	55082-5-B

### TWO STANDARD FRAME SIZES

Choose from 2 standard sizes (14 x 14 or 14 x 24) or custom order to your specifications.

### CHOICE OF THICKNESS 2", 3", 3<sup>1</sup>/<sub>2</sub>", 4", AND 5"

Inner frame adjustable to accommodate nominal variations in the door or wall thickness.

### 14 x 24 STANDARD SIZE

Glass viewing area 12<sup>3</sup>/<sub>4</sub>" x 22<sup>3</sup>/<sub>4</sub>"

Rough opening 16<sup>7</sup>/<sub>8</sub>" x 26<sup>7</sup>/<sub>8</sub>"

Overall frame size 18<sup>1</sup>/<sub>4</sub>" x 28<sup>1</sup>/<sub>4</sub>"

DOOR/WALL THICKNESS	NON-HEATED	HEATED FRAME ONLY	HEATED FRAME AND GLASS
2"	55084-6	55083-6-A	55082-6-A
2"		55083-6-B	55082-6-B
3"	55084-7	55083-7-A	55082-7-A
3"		55083-7-B	55082-7-B
3 <sup>1</sup> / <sub>2</sub> "	55084-8	55083-8-A	55082-8-A
3 <sup>1</sup> / <sub>2</sub> "		55083-8-B	55082-8-B
4"	55084-9	55083-9-A	55082-9-A
4"		55083-9-B	55082-9-B
5"	55084-10	55083-10-A	55082-10-A
5"		55083-10-B	55082-10-B



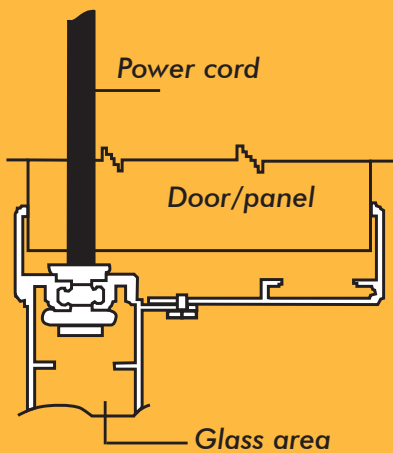
## CUSTOM SIZES

- Custom sizes are available in heated and non-heated per customer specifications and are priced on an order-by-order basis.
- Maximum size is 24 square feet.
- Sizes larger than 9 square feet require going to a 2 pane insulated glass.
- When ordering please specify thickness of installation door or wall, Viewing Area or Rough Opening and Option A or B (refer to diagram at bottom of this page).

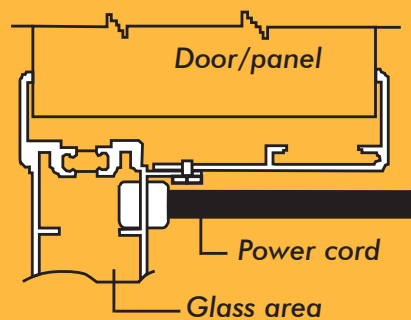


14 x 24 standard size

14 x 14 standard size



INTERNAL OPTION A



STANDARD OPTION B

## FINISH OPTIONS

The Norfab Vu-Port comes standard in a clear satin anodized finish. Or get the look of stainless steel without the cost of stainless. Paint also available per customer specification. Custom finishes priced on an order-by-order basis.

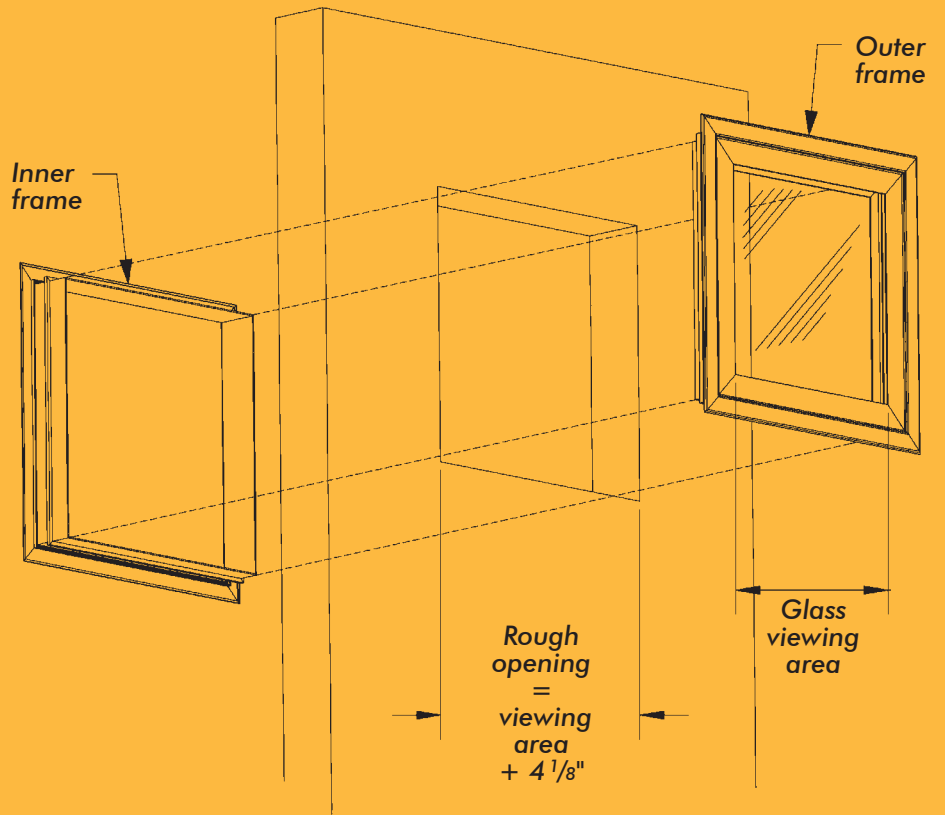


Clear satin anodized  
(Standard)



Painted white  
(Other colors available)

**EASY INSTALLATION**  
Two section Vu-Port slides together easily into door or wall and is locked into place with self tapping screws.



## SHIPPING OPTIONS

Your Vu-Port refrigeration door windows can be shipped in a wooden crate or in individual boxes and palletized. Either way you can be assured that your product will arrive undamaged and on time.



# NORFAB

ALUMINUM EXTRUSION FABRICATORS

2750 Ranchview Lane  
Plymouth, MN 55447

Ph: 763-559-2510  
Fax: 763-559-7642  
www.norfabinc.com

# NORFAB

## VU-PORT INSULATED WINDOW OPTIONS



### *NORFAB AIR FLOW VU-PORT WINDOW*

*For environmental chambers using Air Flow wall systems. The window allows air to flow between the glass. Hinged panel for easy cleaning access between the windows.*



### *NORFAB FLUSH PANEL VU-PORT WINDOW*

*For clean rooms where ledges are not allowed. An added frame on the interior provides the same flush surface as the exterior.*



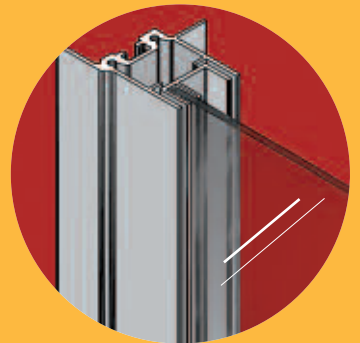


## NORFAB LOCKING SECURITY PANEL VU-PORT WINDOW

For chambers where darkness and security is needed. When viewing contents of chamber minimal light is exposed and zero contamination is allowed through an open door.



## SINGLE PANE WINDOW FOR ENVIRONMENTAL/CLEAN ROOMS



### ADDED DURABILITY AND SECURITY OPTIONS

For added durability and security choose our insulated window with one lite of 1/4" wire glass or a solid Polycarbonate panel (available in Non-Heated or Heated Frame only). Other options available upon request.

# NORFAB

ALUMINUM EXTRUSION FABRICATORS

2750 Ranchview Lane  
Plymouth, MN 55447

Ph: 763-559-2510  
Fax: 763-559-7642  
[www.norfabinc.com](http://www.norfabinc.com)